



# **JX 3300**

## **Obstruction light**

### **General technical documentation**

Release 1.0

This document is subject to modification without notice  
Please, if necessary, ask for new release at : [contact@flashelek.com](mailto:contact@flashelek.com)

# Technical characteristics

## Lamp

Special Xenon flash lamp, omnidirectionnal, allowing a 360° angular cover.

Average time life of the lamp greater than 10 000 hours.

## Mains supply

220V AC, 50 ou 60Hz mains. Door opening safety switch on the electronic box and the lamp.  
Consumption lower than 200 W.

## Operating free air temperature

Normal operating from -25°C to + 55°C. In case of climate conditions particularely moist or cold, an optional heater resistor is available.

## Brilliance levels

Two brilliance levels can be remotely selected (simple switch), as follow :

Brilliance 100 % (day mode)

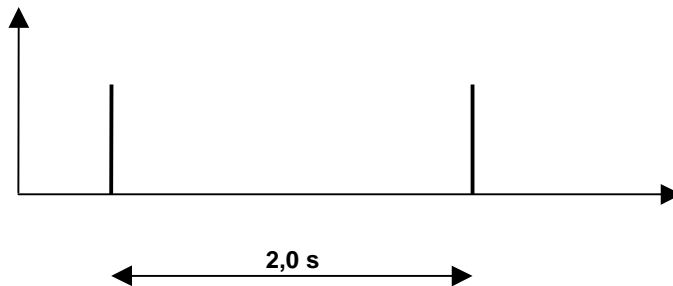
Brilliance 20 % (night mode)

Optionnaly, these levels also can be automaticaly selected via an ambient light detector (photo cell).

## Flashes sequence

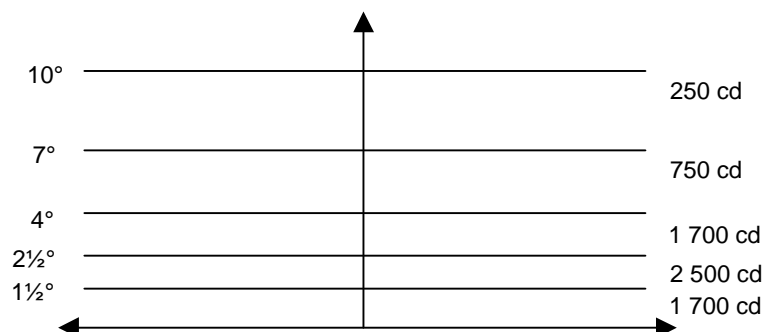
According to ICAO recommendations, the sequence is as described below :

Each flash gives 160J energy

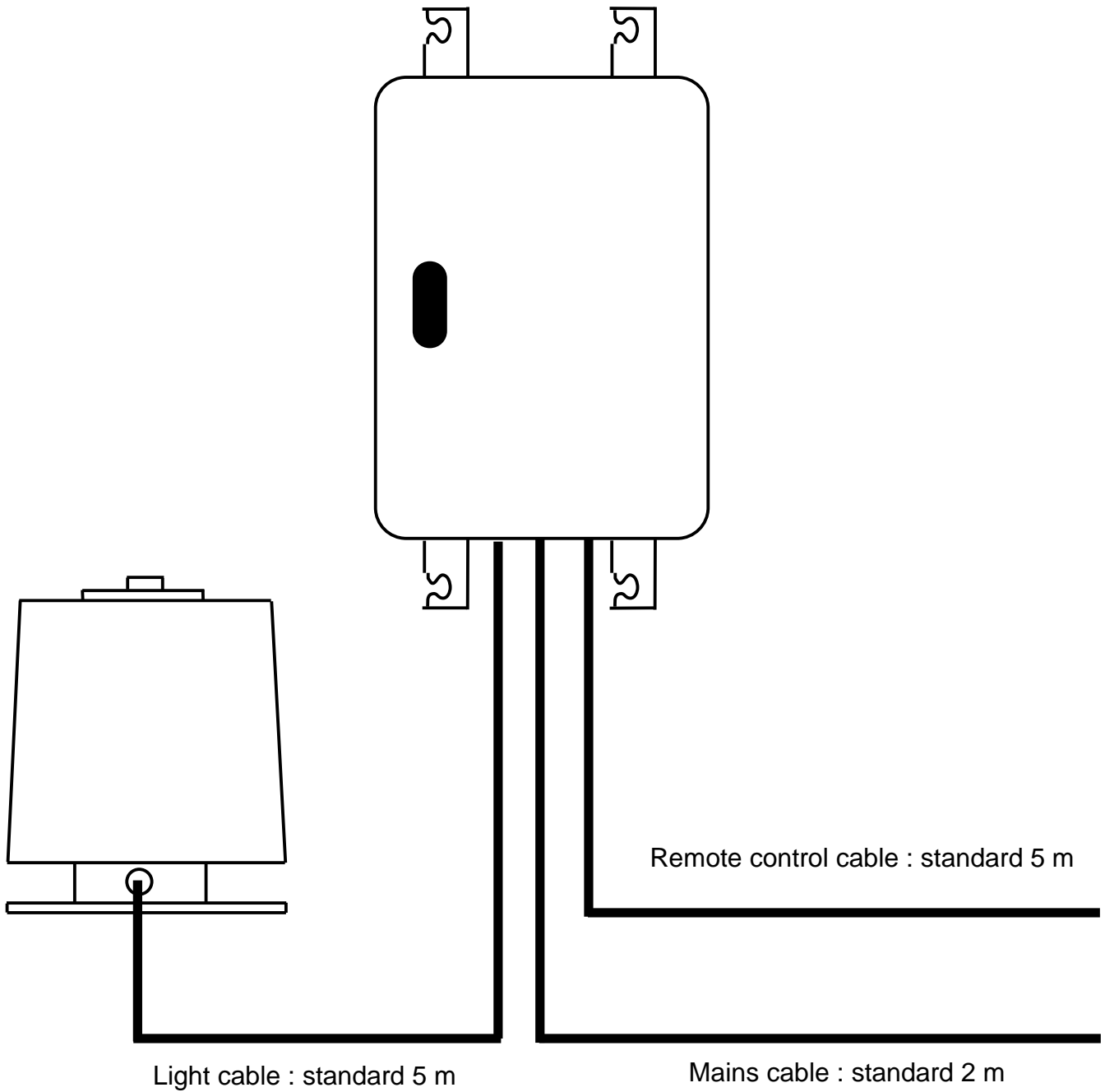


## Photometry

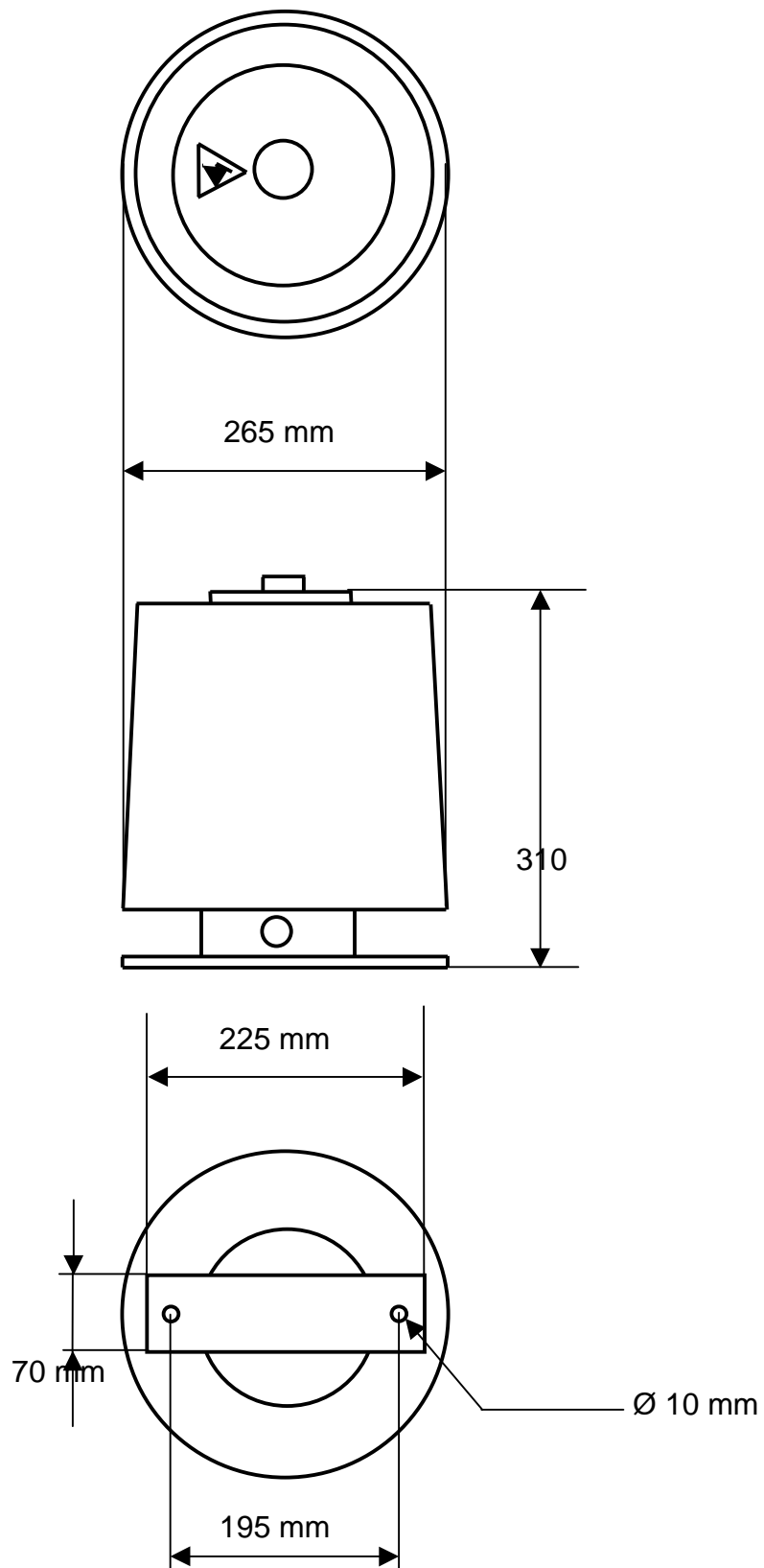
According to ICAO recommendations, the photometric repartition is as below :



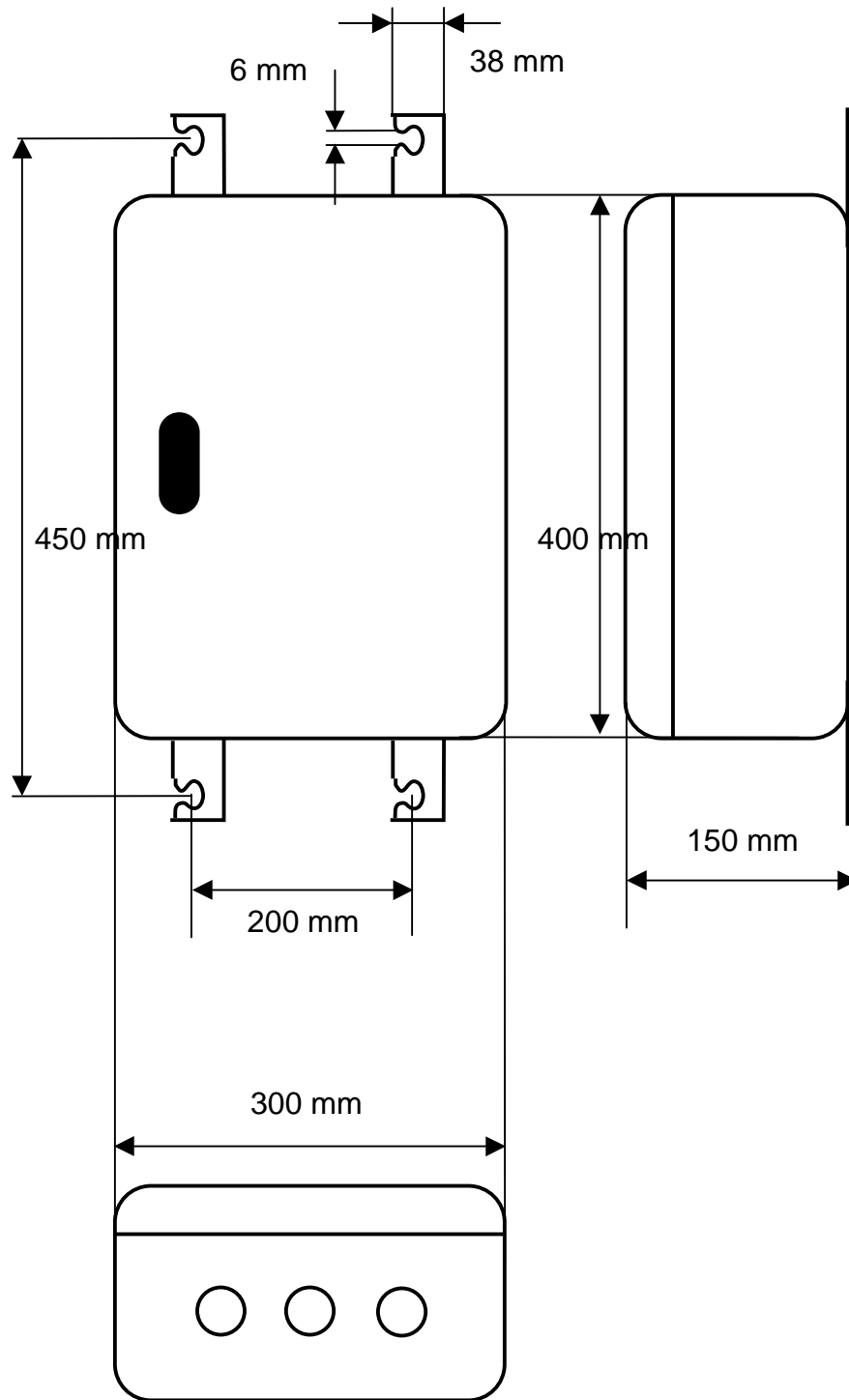
# Electrical wiring



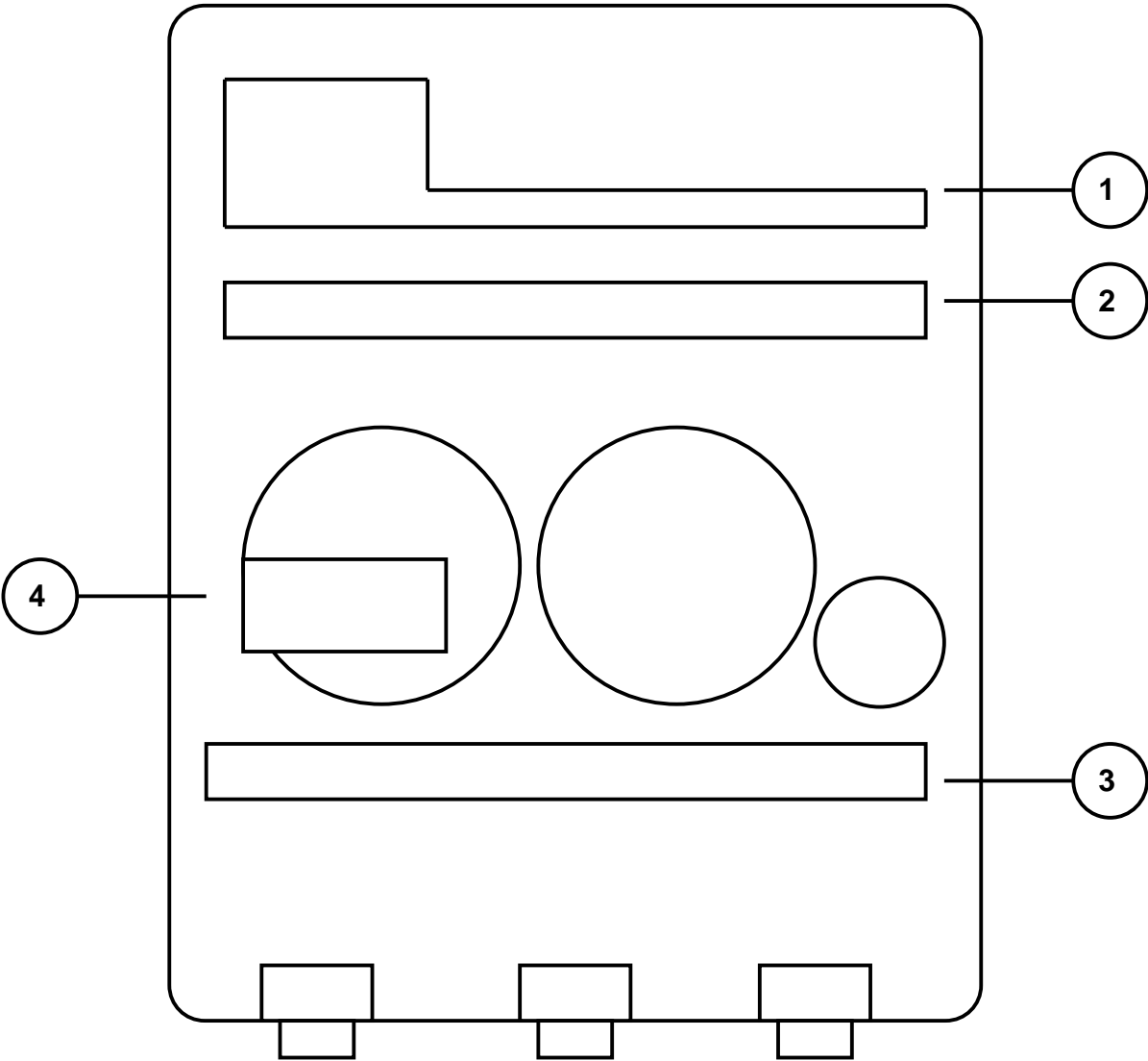
# Mechanical assembling of the light head



# Mechanical assembling



# Spare parts list



1	Power supply panel	30 04 09
2	Timer panel <sup>1</sup>	30 11 64
3	Auxiliary panel	30 04 01
4	Set of capacitors	

<sup>1</sup> This panel is common with Helipad beacon timer panel. Precise on order the use on helipad beacon in order to configurate the software in factory.

