



JX 4360

Helipad Beacon

User Manual

Release 1.0

This document is subject to modification without notice
Please, if necessary, ask for new release at : contact@flashelek.com

1 Summary

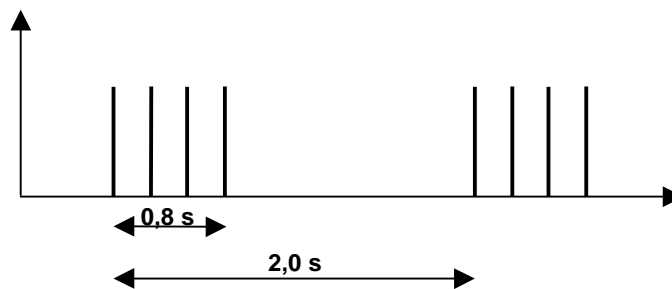
1	Summary	2
2	General characteristics	2
3	Mechanical installation	3
3.1	Installation of power supply	3
3.2	Flash head installation	4
4	Electrical cabling.....	5
4.1	Switch on the set.....	7
5	Maintenance	8
6	Repair flowchart.....	9

2 General characteristics

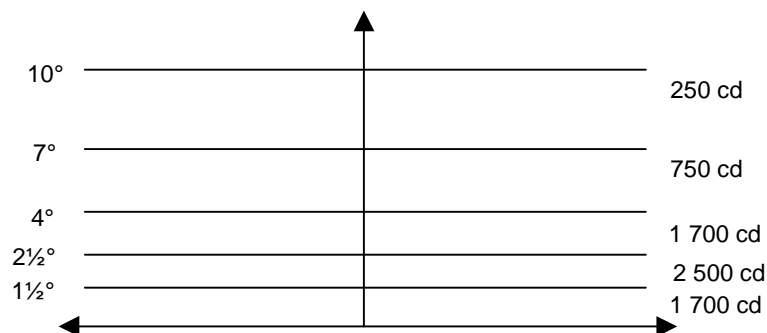
ICAO recommends to install an helipad beacon on an helipad when a long distance guiding is considered as necessary and is not possible with other means, or when the helipad identification is difficult due to light pollution.

The **FLASHELEK JX4360** helipad beacon complies with ICAO Annex 14 vol. 2 specifications.

It continuously emits flash light serie as per as follow :



At 100% brilliance, the photometry is according following diagram :



Brilliance level can be remotely monitored or automatically adjusted by the mean of a photo cell. (optional : precise option JX1600 on the order)

Three brilliance levels are available : 100% (day mode), 10% (crepuscular mode) et 3% (night mode)

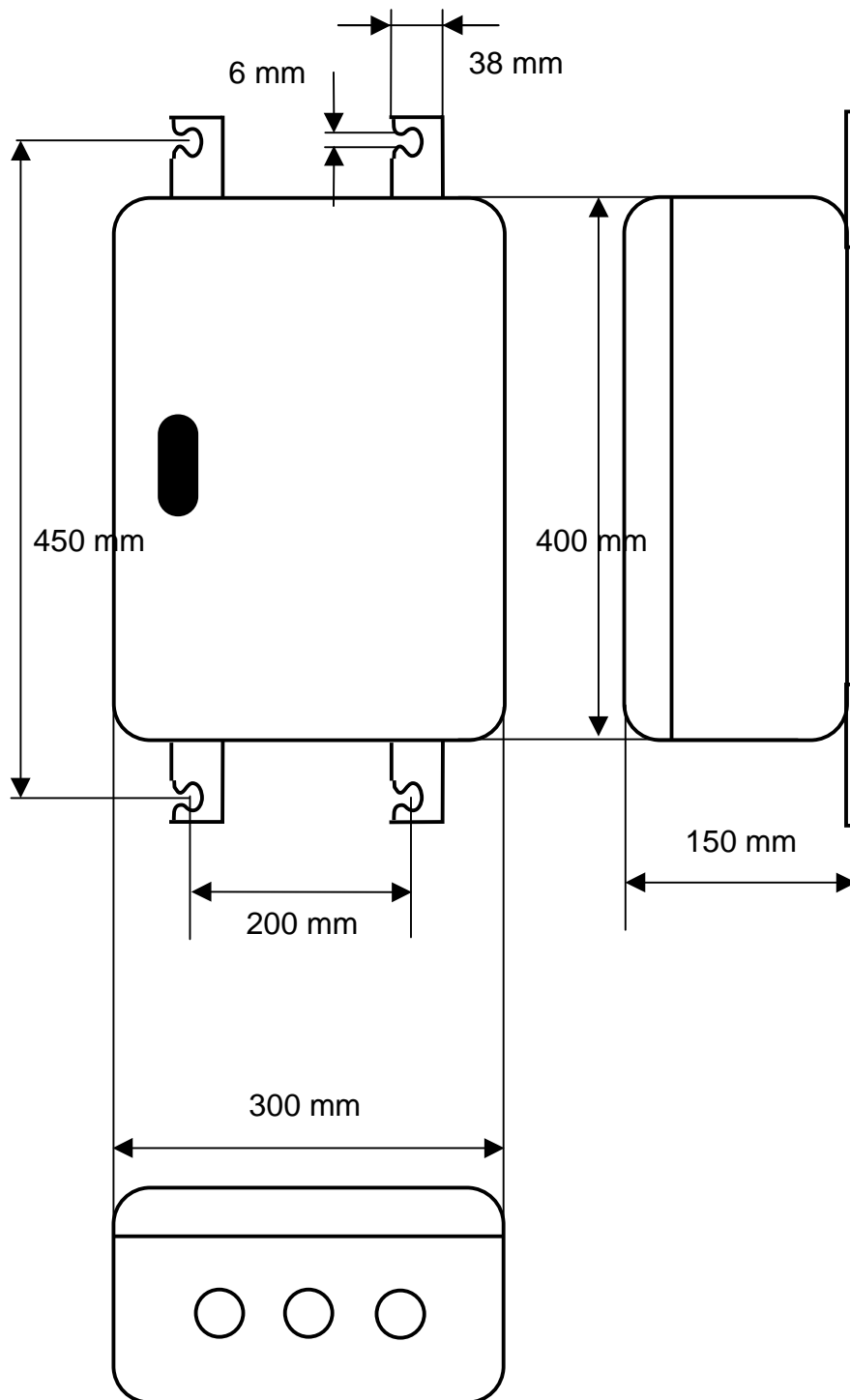
The photo cell switches brilliance level when the following illumination is reached :

100%	Over 500 lux
10%	Between 250 and 500 lux
3%	Below 250 lux

3 Mechanical installation

3.1 Installation of power supply

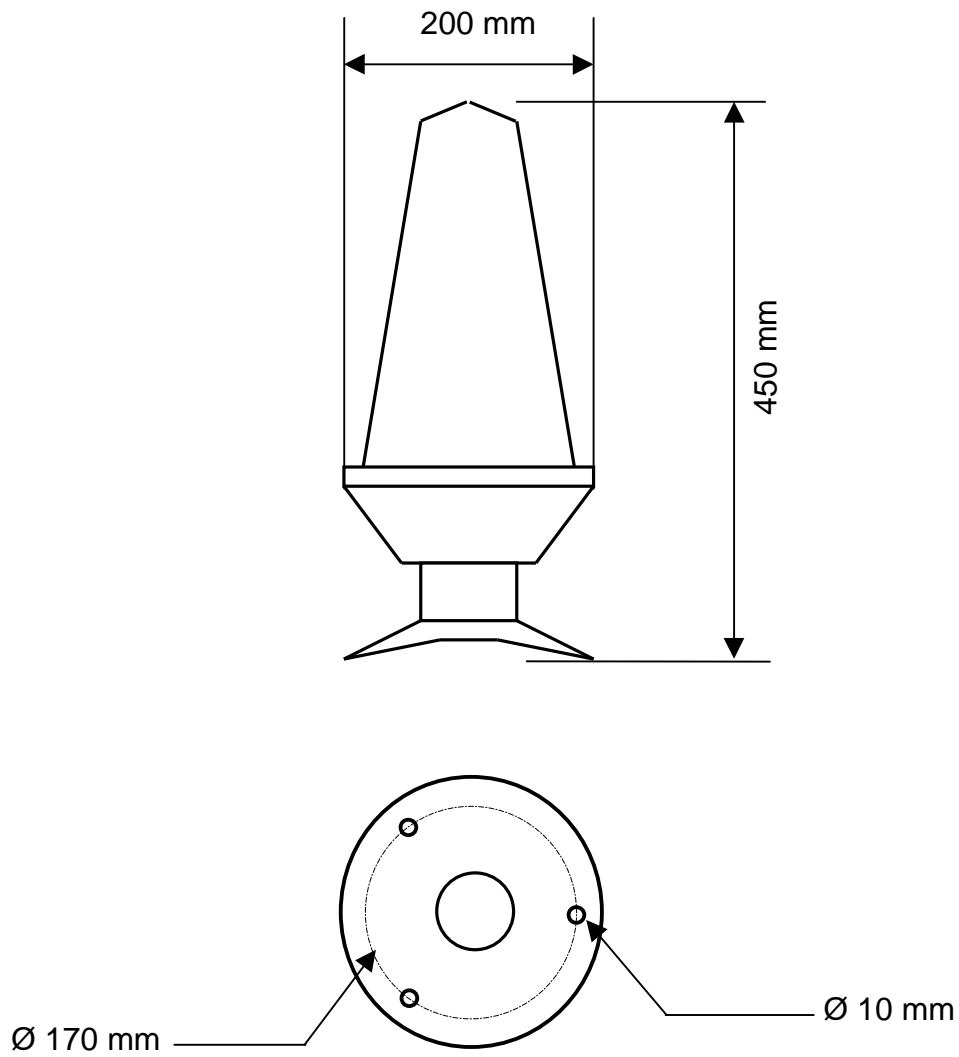
The dimensions of the power supply box are as follow :



Weight : 12 Kg

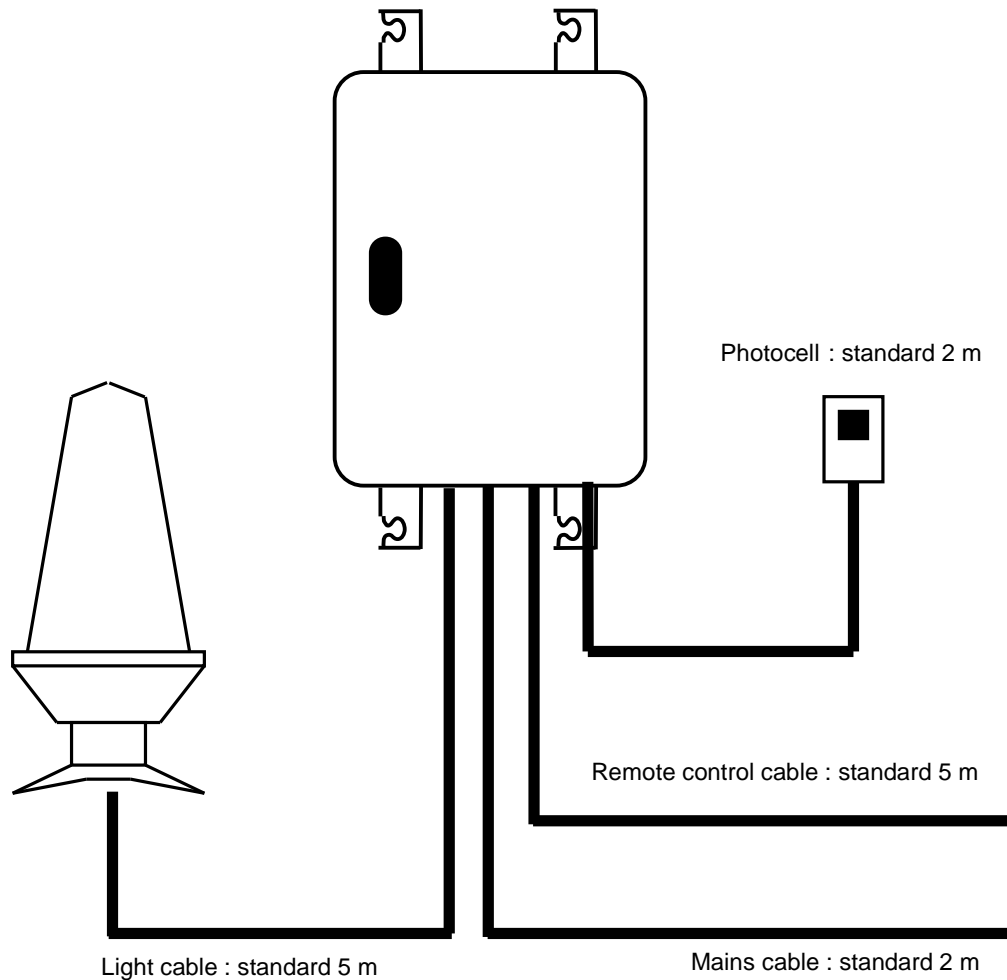
Fix the box with four stubs and M6 screws. On sites with high level of vibrations, it is recommended to add rubber blocs.
(take care to leave place enough for a free access to the connectors.)

3.2 Flash head installation



Embed three stubs or use three M10 bolts at 120° on a 170 mm diameter.
Fix the base of the flash head with M10 nuts. On sites with high level of vibrations, it is recommended to add rubber blocs.

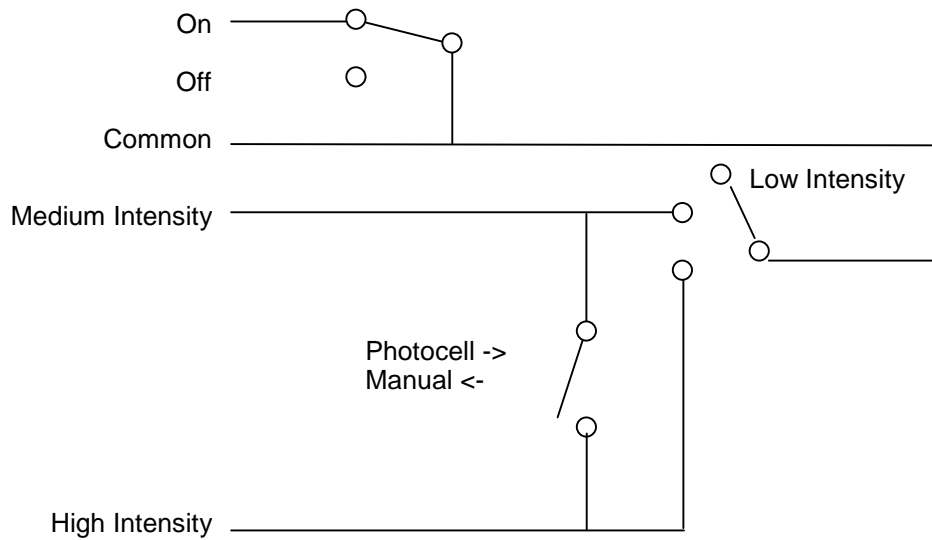
4 Electrical cabling



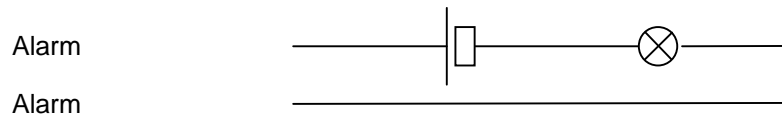
The electrical cabling will be done as follows :

- Isolate the installation from the mains.
- Plug the connector of the flash head to the connector marked “FLASH 1” on the box.
The box links the cable screening to the chassis of the flash head and the earth connection of the mains. Take care to completely lock the connector.
- Plug the remote control connector to the connector marked “REMOTE CONTROL” on the box.

- Connect the remote control wires as follow¹ :



In order to select the automatic mode with photo cell, connect the wires “MEDIUM INTENSITY” and “HIGH INTENSITY” to the “COMMON”.



An alarm is generated when four consecutive sequences of flashes are missing. A dry contact is switched on. You can, for example, power a light under 48VDC or link to an automat digital input.

The box links the cable screening to the earth connection of the mains. Take care to completely lock the connector.

¹ The colours of the wires can change with the fabrications batches. The correspondence is written on a sticker inside the box.

- Plug the mains cable as follow² :

When the set is not equipped with a heater resistor

1	Phase.
2	Neutral.
3	Earth.

When the set is equipped with a heater resistor

1	Phase for electronics and regulated heater resistor.
2	Neutral.
3	Earth.
4	Phase for manual heater resistor.

In this case, the supply of the heating starts as soon as the internal temperatures reaches below 10°C, and stops when it reaches over 20°C.

In case of particularly important moisture, connect wire nbr 4 to the phase forces the supply of the heating.

- Plug the mains connector. Take care to completely lock the connector.
- In the case of a set with a photo cell, fix it in a direction where it can be correctly lit.
- Plug the connector of the photo cell.

4.1 Switch on the set

- Switch on the mains.
- Connect the wire ON and the wire COMMON, the set must go on.
- Connect the wire MEDIUM INTENSITY and the wire COMMON, see that the brilliance increases.
- Connect the wire HIGH INTENSITY and the wire COMMON, see that the brilliance increases again.
- The set being working, open the door of the box, it must stop.



CAUTION, great care should be taken in this handling as parts under mains can be touched.

² The colours of the wires can change with the fabrications batches. The correspondence is written on a sticker inside the box.

5 Maintenance

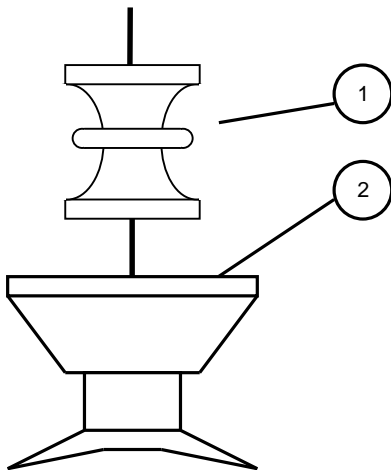
Changing the bulb is done as follow :

- Switch of the mains.
- On the flash head, unscrew the 3 screws M6 which fix the fresnel lens.
- Remove the fresnel lens (take care not to deteriorate the safety switch)
- Unscrew the M8 nut tightening the optical assembly.
- Remove the upper plate.
- Remove the upper parabolic mirror.
- Remove the bulb.

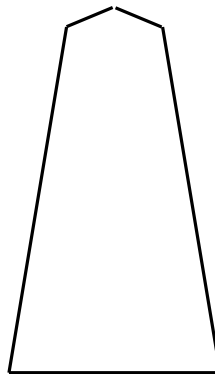


Give the bulb to your reseller as it has to be treated in the recycling circuit.

- Plug in the new bulb completely.
- Put back the mirror and the upper plate.
- Moderately screw the M8 nut.
- Position (take care not to deteriorate the safety switch) and screw the fresnel lens with the three M6 screws.

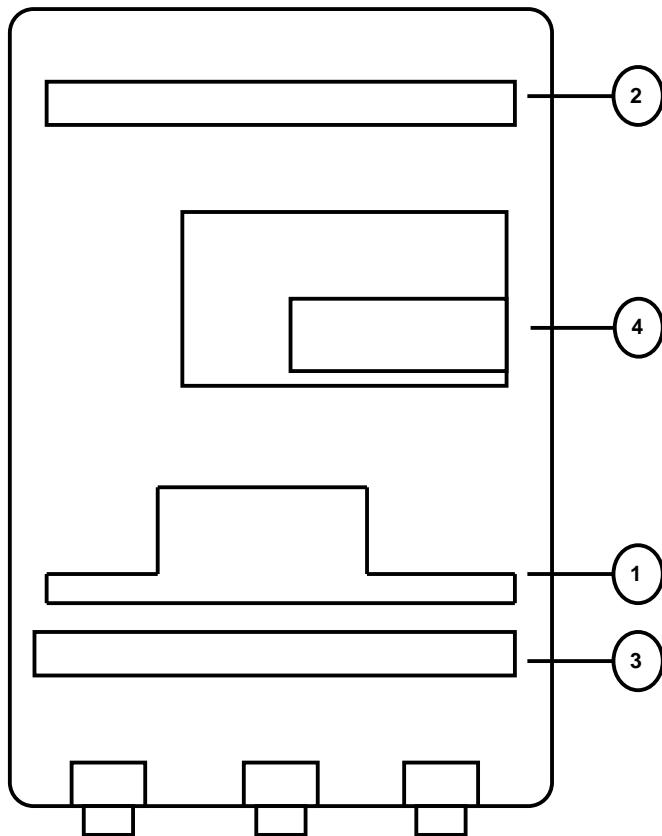


1 : Lamp	31 00 20
2 : Trigger module	30 09 01



6 Repair flowchart

- The set works with a very low intensity
 1. Change the Power panel
- The set works irregularly
 1. Change the lamp
- The set does not work at all
 1. The neon on the auxiliary is off :
 - Verify the security switches line
 - Verify the fuse (4AT) on the auxiliary
 - Change the auxiliary panel
 2. The red led on the clock panel does not blink (do not touch on micro switches which have all to be on)
 - Change the clock panel
 3. Verify the flash head cable
 4. Change the trigger module in the flash head
 5. Change the lamp



1 : Power panel	30 08 51
1 : Power panel with photocell	30 08 61
2 : Clock panel	30 14 64
3 : Auxiliary	30 08 02