



JX 4300

Helipad beacon

General technical documentation

Release 1.0

This document is subject to modification without notice
Please, if necessary, ask for new release at : contact@flashelek.com

Technical characteristics

Lamp

Special Xenon flash lamp, omnidirectionnal, allowing a 360° angular cover.

Average time life of the lamp greater than 10 000 hours.

Mains supply

220V AC, 50 ou 60Hz mains. Door opening safety switch on the electronic box and the lamp.
Consumption lower than 200 W.

Operating free air temperature

Normal operating from -25°C to + 55°C. In case of c limate conditions particularely moist or cold, an optional heater resistor is available.

Brilliance levels

Three brilliance levels can be remotely selected (simple switch), as follow :

Brilliance 100 % (day mode)

Brilliance 10 % (crepuscular mode)

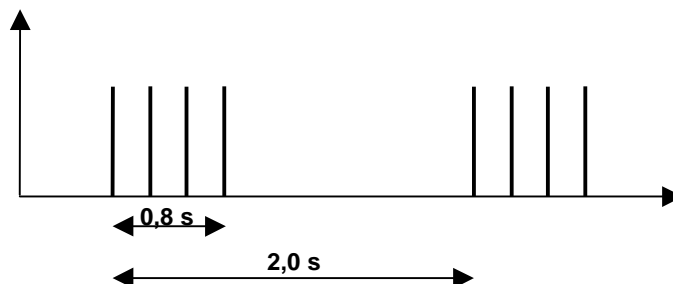
Brilliance 3 % (night mode)

Optionnaly, these levels can also be automaticaly selected via an ambient light detector (photo cell).

Flashes sequence

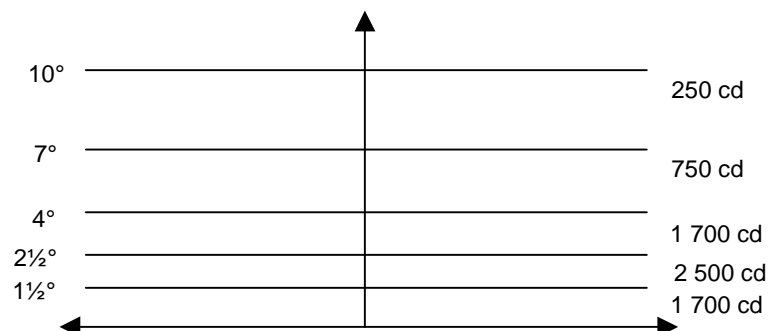
According to ICAO recommandations, the sequence is as described below :

Each flash gives 40J energy

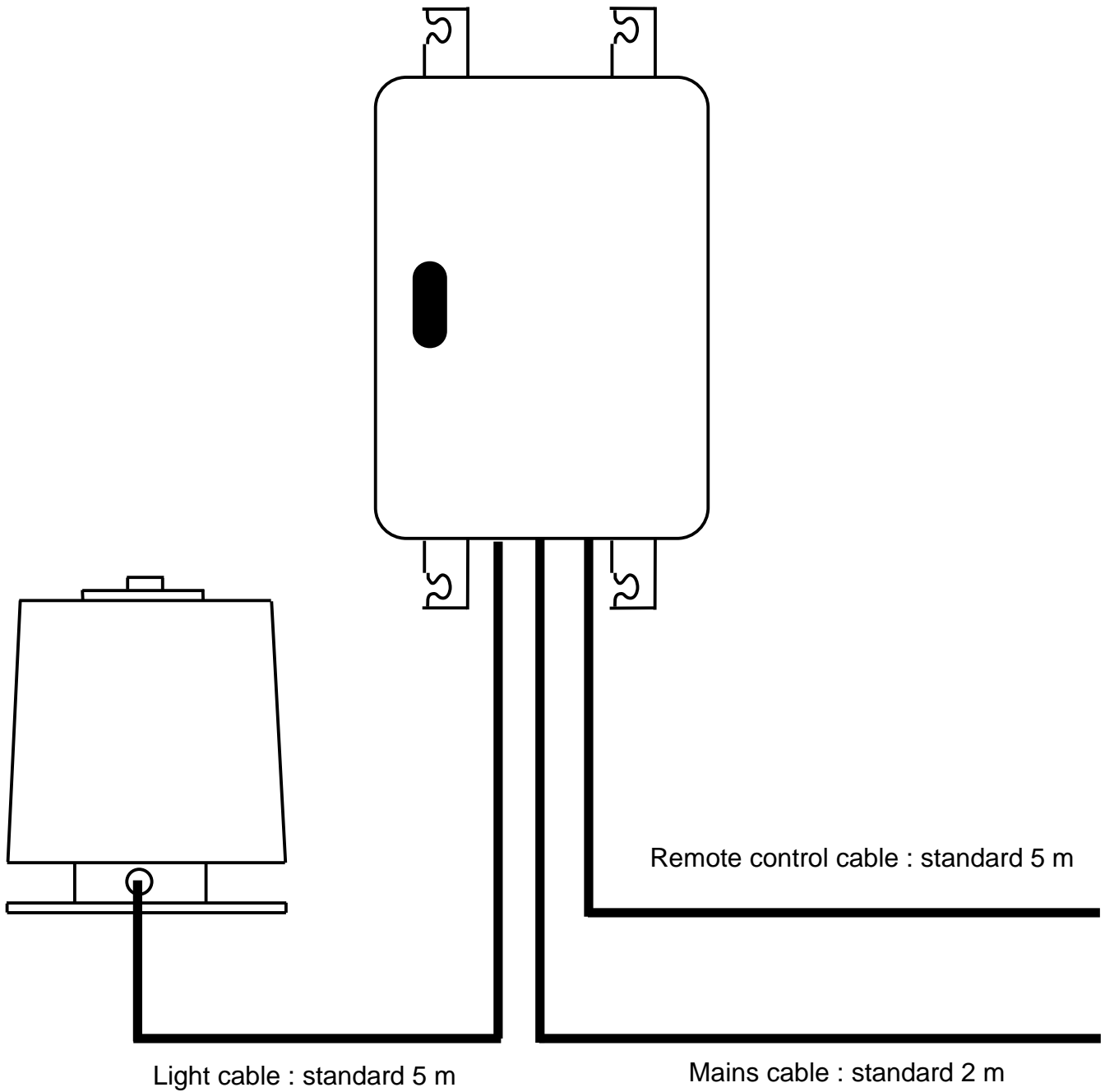


Photometry

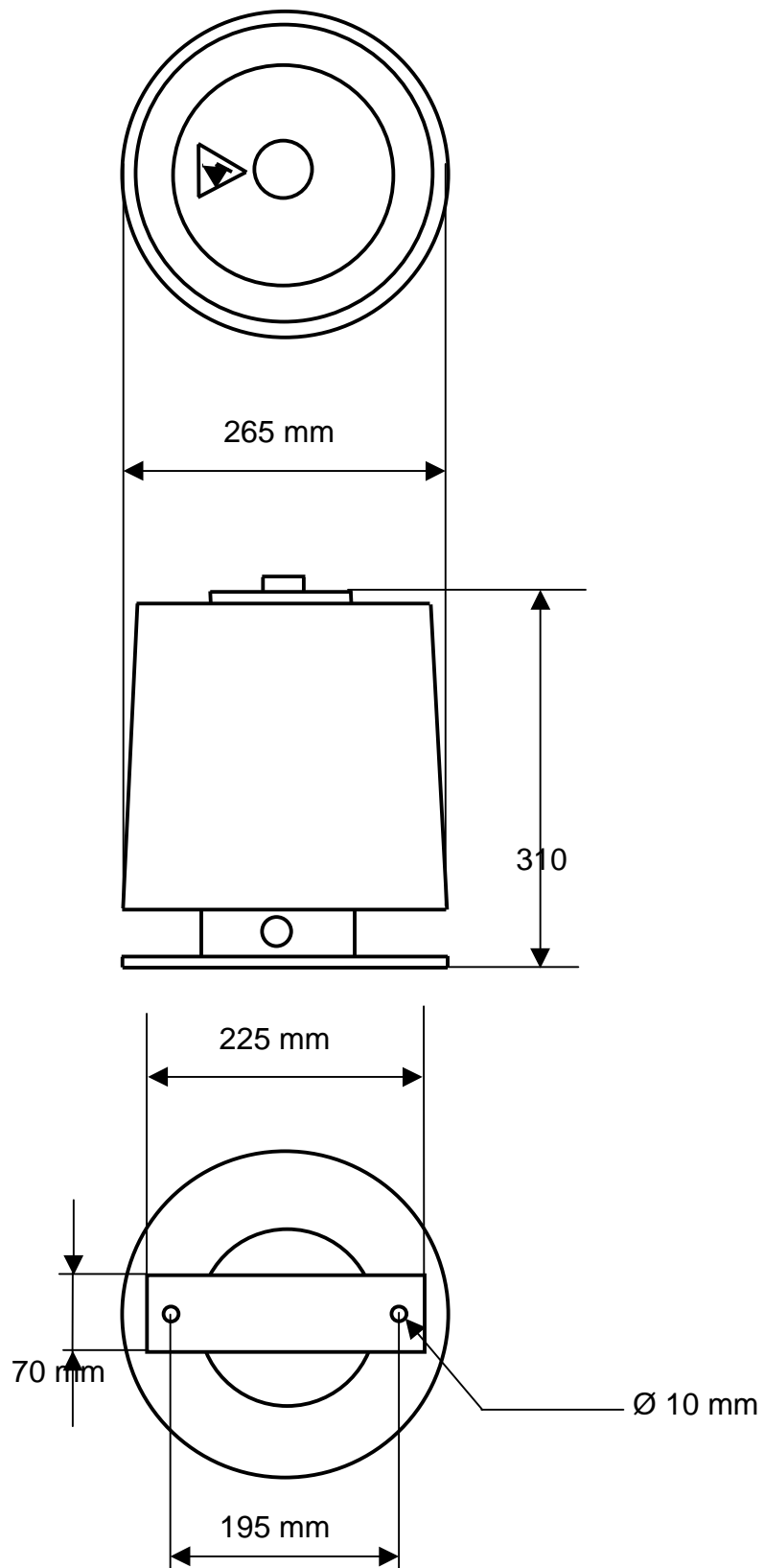
According to ICAO recommandations, the photometric repartition is as below :



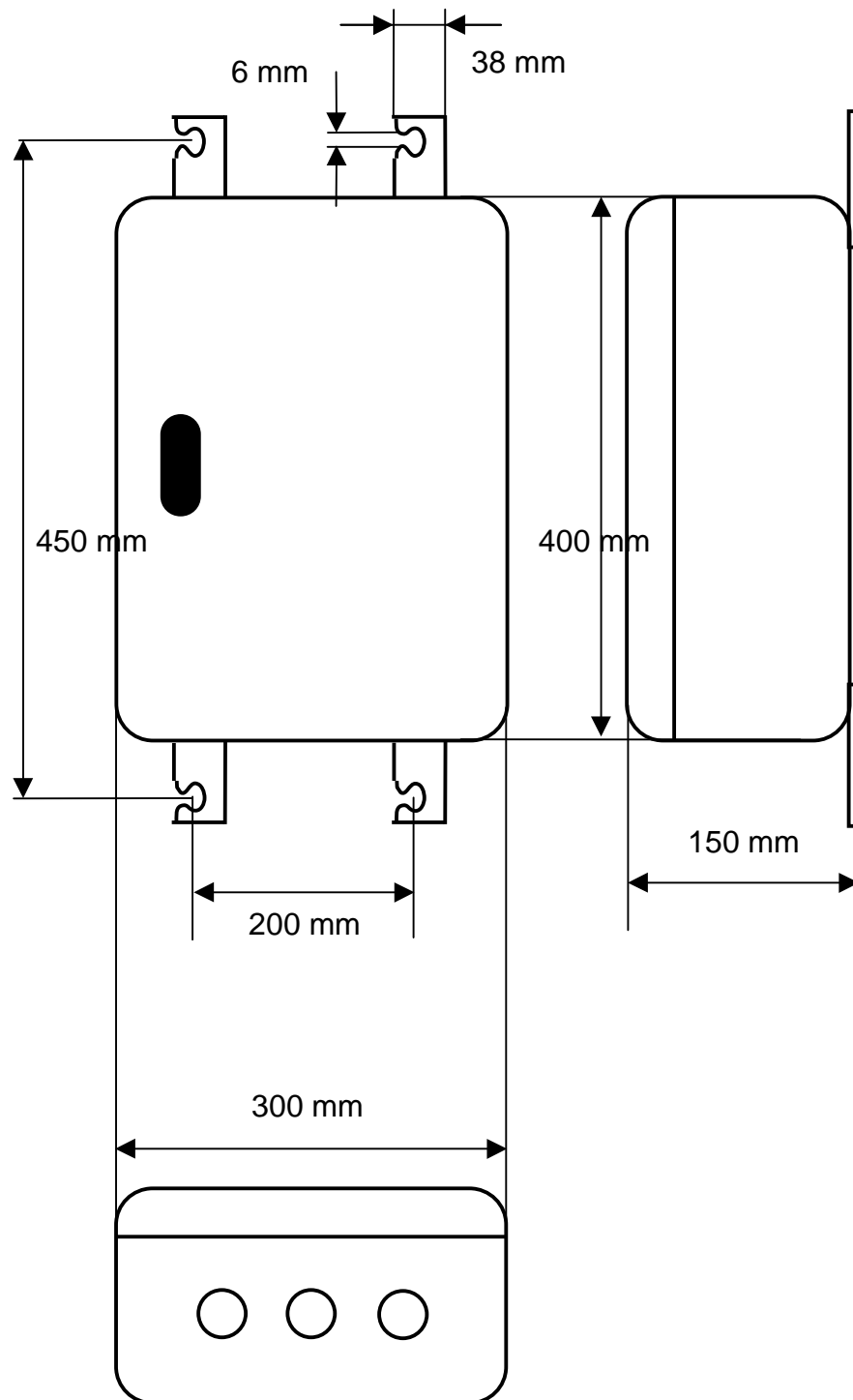
Electrical wiring



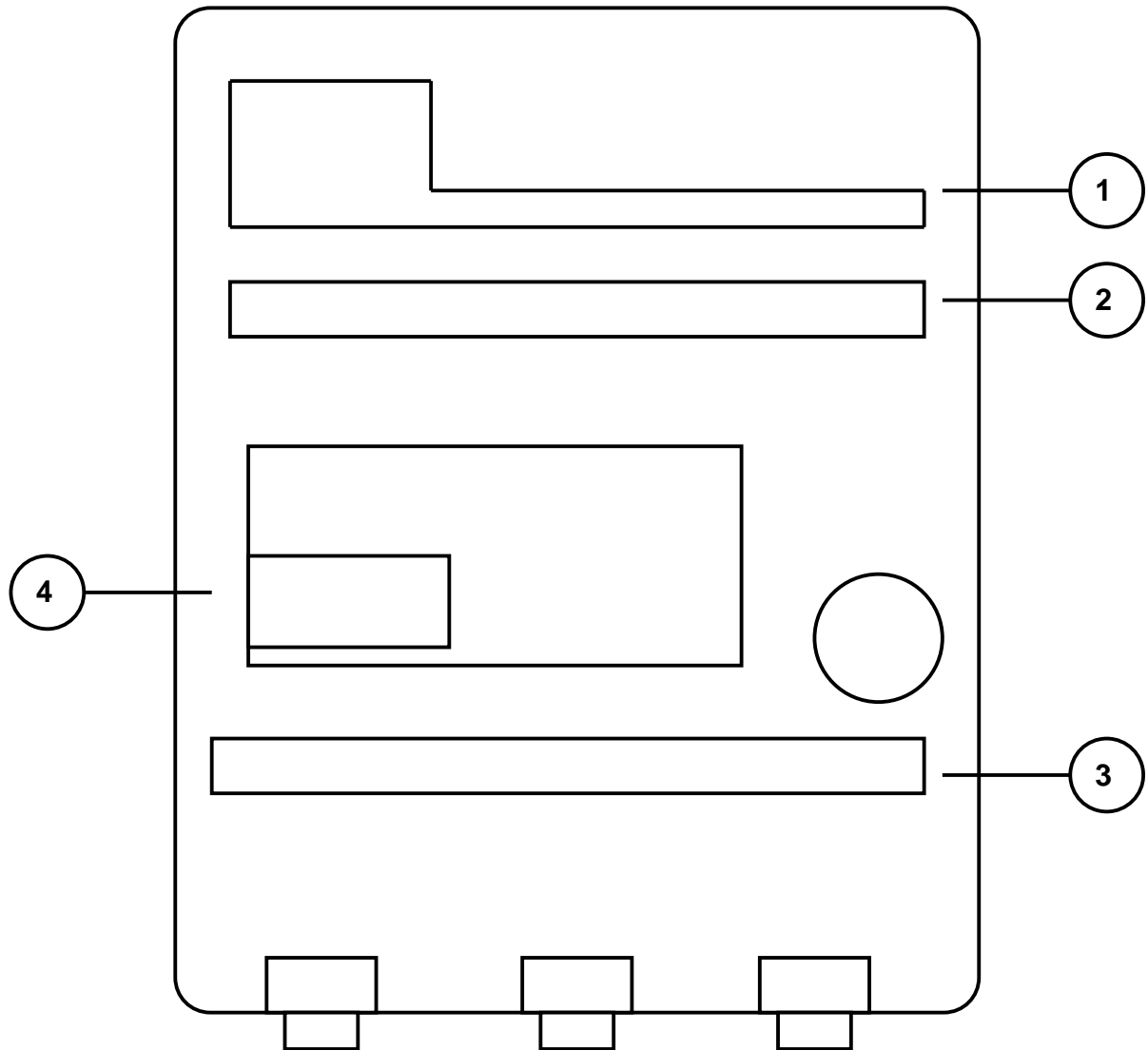
Mechanical assembling of the light head



Mechanical assembling



Spare parts list



- | | | |
|---|--------------------------|----------|
| 1 | Power supply panel | 30 04 08 |
| 2 | Timer panel ¹ | 30 11 64 |
| 3 | Auxiliary panel | 30 04 02 |
| 4 | Set of capacitors | |

¹ This panel is common with Obstruction light timer panel. Precise on order the use on helpad beacon in order to configure the software in factory.